

STANDARD HOUSING DESIGN

- Welded carbon steel construction
- ASME Code, Section VIII construction, stamped and certified
- Design pressure: 150 psi @ 250°F
- Inlet and outlet permanently marked
- Interior: Epoxy coated
- Exterior: Prime coated
- Removable cartridge mounting post
- Swing bolt closure
- Buna-N closure gasket
- Hydraulic headlift

NPT CONNECTIONS

- 1/4" differential pressure gauge
- 3/4" pressure relief valve and vent
- 2" main drain
- 1 1/2" side drain

OPTIONS

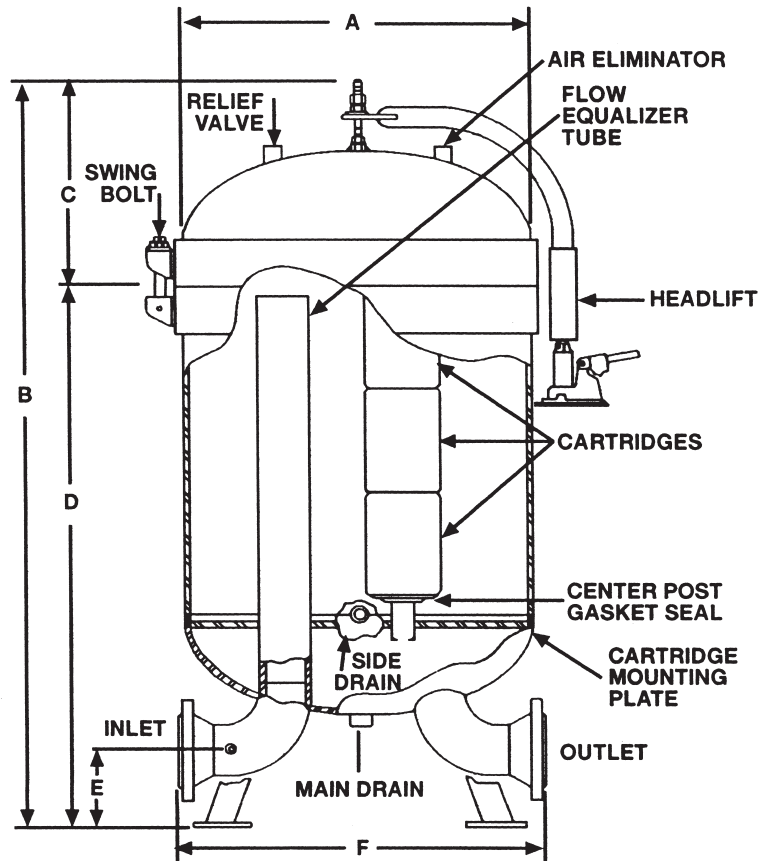
- Automatic air eliminator
- Differential pressure gauge
- Pressure relief valve
- Sampling probe
- Cartridge hoist assembly
- Working platform, ladder and handrails on 42" (1067 mm) OD and larger housings

DATA

MODEL NUMBER	LIQUID VOLUME		REQUIRED CARTRIDGES	DRY WEIGHT	
	gals.	ltrs.		lbs.	kgs.
13F3-C	288	1090	39	1913	868
24F3-C	456	2067	72	3250	1474
31F3-C	702	2657	93	4459	2023
40F3-C	874	3308	120	5380	2440
50F3-C	1167	4417	150	6976	3164
60F3-C	1442	5458	180	8298	3764
67F3-C	1570	5942	201	9602	4355

Weights and volumes are approximate.

Due to our continuing program of improvement, specifications are subject to change without notice.



DIMENSIONS

MODEL NUMBER	FLANGED INLET/OUTLET CONNECTIONS		DIMENSIONS												ANCHOR BOLT			
			A		B		C		D		E		F		BOLT CIRCLE		BOLT HOLE	
			in.	mm.	in.	mm.	in.	mm.	in.	mm.	in.	mm.	in.	mm.	in.	mm.	in.	mm.
13F3-C	4	102	32	813	127 ¹ / ₄	3232	12 ³ / ₄	324	87 ¹ / ₂	2222	6	152	30	762	27 ³ / ₈	695	7 ⁷ / ₈	22
24F3-C	4	102	42 ³ / ₄	1086	134 ³ / ₁₆	3408	16 ³ / ₄	425	90 ⁷ / ₁₆	2297	6	152	30	762	36 ¹ / ₂	927	7 ⁷ / ₈	22
31F3-C	6	152	48 ³ / ₄	1238	141	3581	18 ³ / ₄	476	95	2413	7 ¹ / ₂	191	47	1194	40 ¹ / ₄	1022	1 ¹ / ₈	29
40F3-C	6	152	54 ³ / ₄	1391	145 ⁵ / ₁₆	3691	20 ¹³ / ₁₆	529	97 ¹ / ₄	2470	7 ¹ / ₂	191	43	1092	50	1270	1 ¹ / ₈	29
50F3-C	8	203	60 ³ / ₄	1543	152 ¹¹ / ₁₆	3878	23 ¹ / ₄	591	102 ³ / ₄	2610	9	229	55	1397	52	1321	1 ¹ / ₈	29
60F3-C	8	203	67	1702	154 ³ / ₄	3931	25 ³ / ₈	645	102 ³ / ₄	2610	9	229	60	1524	52	1321	1 ¹ / ₈	29
67F3-C	8	203	73	1854	158	4013	27 ⁵ / ₈	702	104	2642	9	229	62	1574	56	1422	1 ¹ / ₈	29

All dimensions are approximate and should be used for estimating purposes only.

NOTES:

1. Housing model number will include cartridge model number when selected.
2. Clay treater housings use Facet bag or canister style cartridges, 3 deep per stack.
3. Clay cartridges are **not** installed at factory prior to shipment.
4. Removable bundle design available on request. Contact your Facet Representative for details.

Due to our continuing program of improvement, specifications are subject to change without notice.