

M Series vertical filter housings use any of Facet's M Series high efficiency filter cartridges. A single pass of product through the system removes solids such as rust, dirt, scale, granules and other particles commonly found in liquid process streams.

M Series vertical filter housings are available in three styles in several standard and custom sizes to accommodate specific flow and filtration requirements. They are designed with no internal moving parts to provide easy service and reduced maintenance costs. Each housing is manufactured using quality materials and workmanship to give long-lasting, dependable service.

M Series filter housings can be fitted with either multiple single-length cartridges, stacked 1, 2 or 3 high, or their double-length or triple-length equivalents.

STANDARD DESIGN FEATURES

- Body: Welded carbon steel construction — other materials available on request
- ASME Code, Section VIII, Div. 1 construction
- Designed for 150 psi (10.5 kg/cm²) @ 250° F —higher pressure and temperature ratings available on request
- Head closures: Style 1—thru-bolt
Styles 2 and 3—swing bolt
- Head gasket: Buna-N o-ring—other materials available on request
- Inlet and outlet permanently marked
- Exterior: Multipurpose prime coated
- Headlift furnished on 20" (508 mm) and larger

STANDARD CONNECTIONS

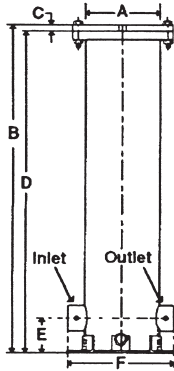
- Inlet and outlet: Style 1—3000# NPT
Styles 2 and 3—150# RF (ANSI) flanged
- Side and bottom drain: 3000# NPT
- Vent and relief valve: 3/4" 3000# NPT
- Pressure gauge: 1/4" 3000# NPT

OPTIONS

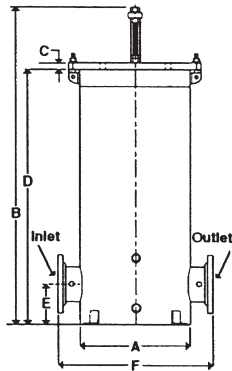
- Air Eliminator
- Differential pressure gauge
- Pressure relief valve
- Manual drain valve
- Interior epoxy coating

**SMALLER HOUSINGS AVAILABLE —
SEE ALL PURPOSE HOUSINGS
SECTION**

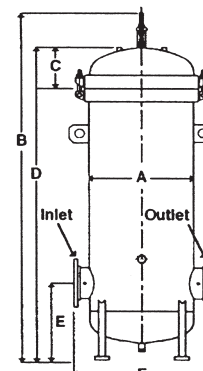
Due to our continuing program of improvement, specifications are subject to change without notice.



STYLE 1



STYLE 2



STYLE 3

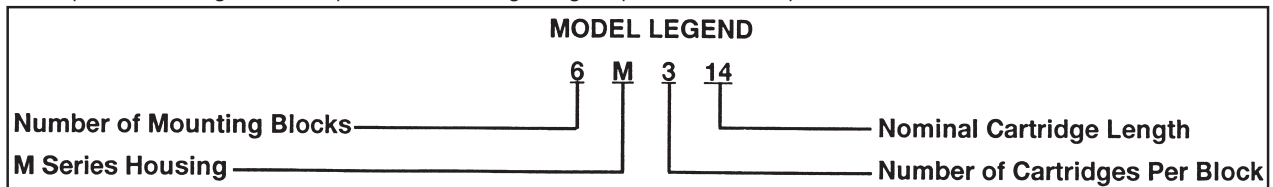
DATA

| MODEL NUMBER | CONNECTIONS | | | | | | ANCHOR BOLT PLAN | | | | | LIQUID VOLUME | | WEIGHT WITH CARTRIDGES | |
|--------------|--------------|-----|------------|-----|--------------|-----|--------------------|-----|-------------|------|-------------------|---------------|------|------------------------|------|
| | INLET/OUTLET | | SIDE DRAIN | | BOTTOM DRAIN | | BOLT HOLE DIAMETER | | BOLT CIRCLE | | NO. OF BOLT HOLES | | | | |
| | in. | mm. | in. | mm. | in. | mm. | in. | mm. | in. | mm. | | | | | |
| 1M-114 | 2 | 51 | NA | NA | 3/4 | 19 | 7/8 | 22 | 11 5/8 | 295 | 3 | 5 | 19 | 175 | 79 |
| 1M-214 | 2 | 51 | NA | NA | 3/4 | 19 | 7/8 | 22 | 11 5/8 | 295 | 3 | 8 | 30 | 195 | 88 |
| 1M-314 | 2 | 51 | NA | NA | 3/4 | 19 | 7/8 | 22 | 11 5/8 | 295 | 3 | 11 | 42 | 215 | 98 |
| 2M-314 | 4 | 102 | 3/4 | 19 | 3/4 | 19 | 7/8 | 22 | 17 | 432 | 4 | 36 | 136 | 500 | 227 |
| 3M-314 | 4 | 102 | 3/4 | 19 | 3/4 | 19 | 7/8 | 22 | 19 | 483 | 4 | 48 | 182 | 550 | 249 |
| 4M-314 | 6 | 152 | 3/4 | 19 | 3/4 | 19 | 7/8 | 22 | 21 | 533 | 4 | 62 | 235 | 860 | 390 |
| 6M-314 | 6 | 152 | 3/4 | 19 | 3/4 | 19 | 7/8 | 22 | 23 | 584 | 4 | 78 | 295 | 940 | 426 |
| 11M-314 | 8 | 203 | 1 1/2 | 38 | 1 | 25 | 7/8 | 22 | 25 1/4 | 641 | 4 | 175 | 662 | 1280 | 581 |
| 18M-314 | 10 | 254 | 1 1/2 | 38 | 1 | 25 | 7/8 | 22 | 32 5/8 | 829 | 4 | 350 | 1325 | 1975 | 896 |
| 27M-314 | 12 | 305 | 1 1/2 | 38 | 1 1/2 | 38 | 1 | 25 | 47 1/2 | 1206 | 4 | 540 | 2044 | 2840 | 1288 |

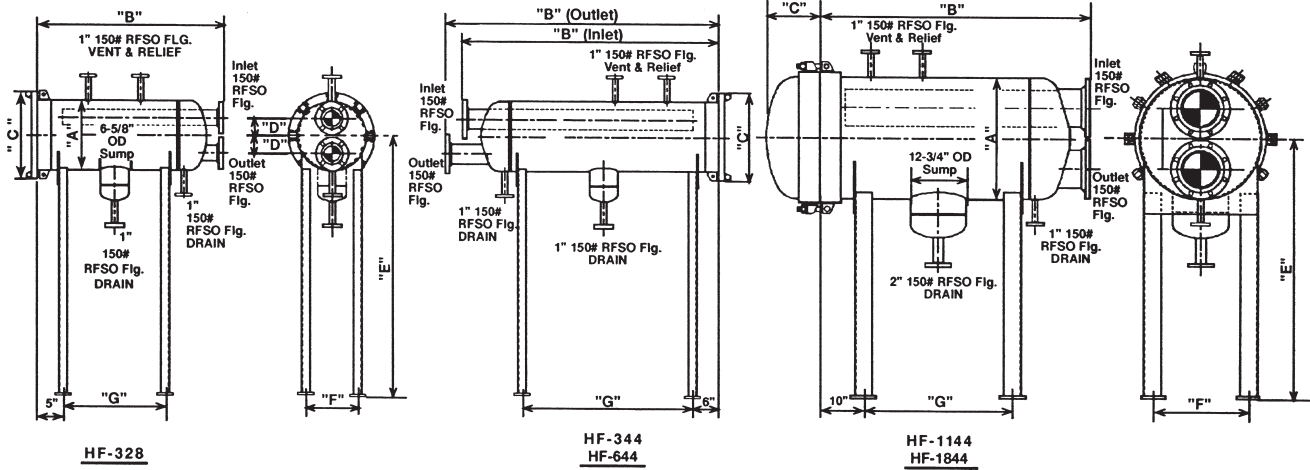
| MODEL NUMBER | DIMENSIONS | | | | | | | | | | | | HOUSING STYLE | HEAD GASKET |
|--------------|------------|------|---------|------|-------|-----|--------|------|--------|-----|--------|------|---------------|-------------|
| | A | | B | | C | | D | | E | | F | | | |
| | in. | mm. | in. | mm. | in. | mm. | in. | mm. | in. | mm. | in. | mm. | | |
| 1M-114 | 8 5/8 | 219 | 24 1/4 | 616 | 3/4 | 19 | 23 1/2 | 596 | 4 | 102 | 12 3/8 | 314 | 1 | 691627 |
| 1M-214 | 8 5/8 | 219 | 38 3/4 | 984 | 3/4 | 19 | 38 | 965 | 4 | 102 | 12 3/8 | 314 | 1 | 691627 |
| 1M-314 | 8 5/8 | 219 | 54 1/2 | 1378 | 3/4 | 19 | 53 1/2 | 1359 | 4 | 102 | 12 3/8 | 314 | 1 | 691627 |
| 2M-314 | 14 | 355 | 62 1/4 | 1581 | 1 | 25 | 53 1/2 | 1359 | 6 | 152 | 24 | 610 | 2 | 607731 |
| 3M-314 | 14 | 406 | 62 1/4 | 1581 | 1 | 25 | 53 1/2 | 1359 | 6 | 152 | 24 | 610 | 2 | 607731 |
| 4M-314 | 16 | 406 | 63 3/4 | 1619 | 1 | 25 | 55 | 1397 | 7 1/2 | 191 | 26 | 660 | 2 | 609919 |
| 6M-314 | 20 | 508 | 73 3/4 | 1861 | 1 1/4 | 32 | 62 3/4 | 1594 | 7 1/2 | 191 | 28 | 711 | 2 | 609920 |
| 11M-314 | 28 | 711 | 99 3/4 | 2521 | 1 1/4 | 286 | 89 1/4 | 2267 | 24 | 610 | 36 | 914 | 3 | 601299 |
| 18M-314 | 36 | 914 | 106 3/4 | 2711 | 1 1/4 | 362 | 95 1/4 | 2419 | 26 | 660 | 48 | 1219 | 3 | 601302 |
| 27M-314 | 42 | 1067 | 124 1/2 | 3162 | 1 3/4 | 425 | 98 3/4 | 2508 | 29 1/2 | 749 | 54 | 1371 | 3 | 602209 |

NOTES:

- All dimensions, weights, and volumes are approximate and should be used for estimating only.
- Cartridges are selected separately to fit specific application requirements.
- Multiple stack cartridges can be replaced with one single-length equivalent. For example: 1M-214 = 1M-128 or 6M-314 = 6M-143, etc.



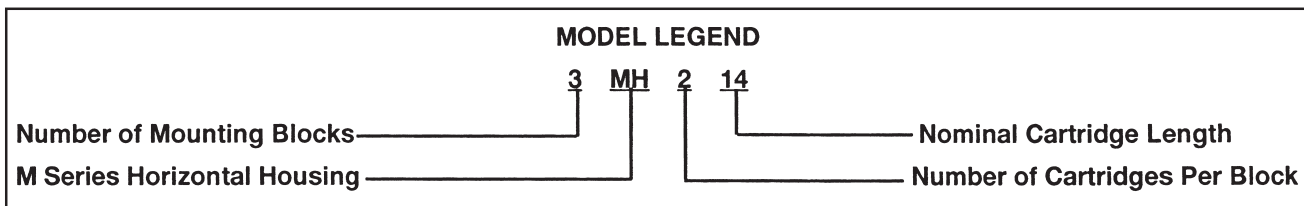
Due to our continuing program of improvement, specifications are subject to change without notice.



| MODEL NUMBER | INLET/OUTLET | | DIMENSIONS | | | | | | | | | | | | | |
|--------------|--------------|-----|------------|-----|-------------------------------------------------------------------------------|--------------|----------------------------------|-----|-------------------------------|-----|-----|------|-----|-----|-----|------|
| | | | A | | B | | C | | D | | E | | F | | G | |
| | in. | mm. | in. | mm. | in. | mm. | in. | mm. | in. | mm. | in. | mm. | in. | mm. | in. | mm. |
| 3MH-214 | 3 | 76 | 16 | 406 | outlet 44 ³ / ₈ | 1127 | 20 | 508 | 4 | 102 | 60 | 1524 | 12 | 304 | 24 | 610 |
| 3MH-314 | 4 | 102 | 16 | 406 | inlet 65 ³ / ₈ outlet 62 ³ / ₈ | 1660 1584 | 20 | 508 | 4 | 102 | 60 | 1524 | 12 | 304 | 40 | 1016 |
| 6MH-314 | 6 | 152 | 20 | 508 | inlet 66 ³ / ₄ outlet 62 ³ / ₄ | 1695 1594 | 24 | 610 | 5 ³ / ₈ | 137 | 60 | 1524 | 15 | 381 | 40 | 1016 |
| 11MH-314 | 8 | 203 | 28 | 711 | 63 | 1600 | 12 ⁹ / ₁₆ | 319 | 7 | 178 | 60 | 1524 | 22 | 559 | 35 | 889 |
| 18MH-314 | 10 | 254 | 36 | 914 | 67 | 1702 | 15 ¹³ / ₁₆ | 402 | 9 | 229 | 60 | 1524 | 28 | 711 | 30 | 889 |

NOTES:

1. All dimensions are approximate and should be used for estimating only.
2. Cartridges are selected separately to fit specific application requirements.
3. Other size vessels available on request.



Due to our continuing program of improvement, specifications are subject to change without notice.