

Series M



M Series filter housings use any of Facet's M Series high efficiency filter cartridges. A single pass of product through the system removes solids such as rust, dirt, scale, granules and other particles commonly found in liquid process streams. M Series filter housings are available in three styles in several standard sizes to accommodate specific flow and filtration requirements. They are designed with no internal moving parts to provide easy service and reduced maintenance costs. Each housing is manufactured using quality materials and workmanship to give long-lasting, dependable service. M Series filter housings can be fitted with either multiple single-length cartridges, stacked 1, 2 or 3 high, or their double-length or triple-length equivalents.

STANDARD DESIGN FEATURES

- Body: Welded carbon steel construction, other materials available on request
- ASME Code, Section VIII construction, stamped and certified or "CE" marked
- Designed for 150 psi (10.5 kg/cm²) at 250°F (121 °C); higher pressure and temperature ratings available on request
- Head closures: Swing bolt closure
- Head gasket: Buna-N O-ring, other materials available on request
- Inlet and outlet permanently marked
- Exterior: Primer coated
- Interior: Epoxy coated
- Headlift furnished on 20" (508 mm) and larger

STANDARD CONNECTIONS

- Inlet and outlet: 150# RF (ANSI) flanged
- Side and bottom drain: 3000# NPT
- Vent and relief valve: 3/4" 3000# NPT
- Pressure gauge: 3/4" 3000# NPT

OPTIONS

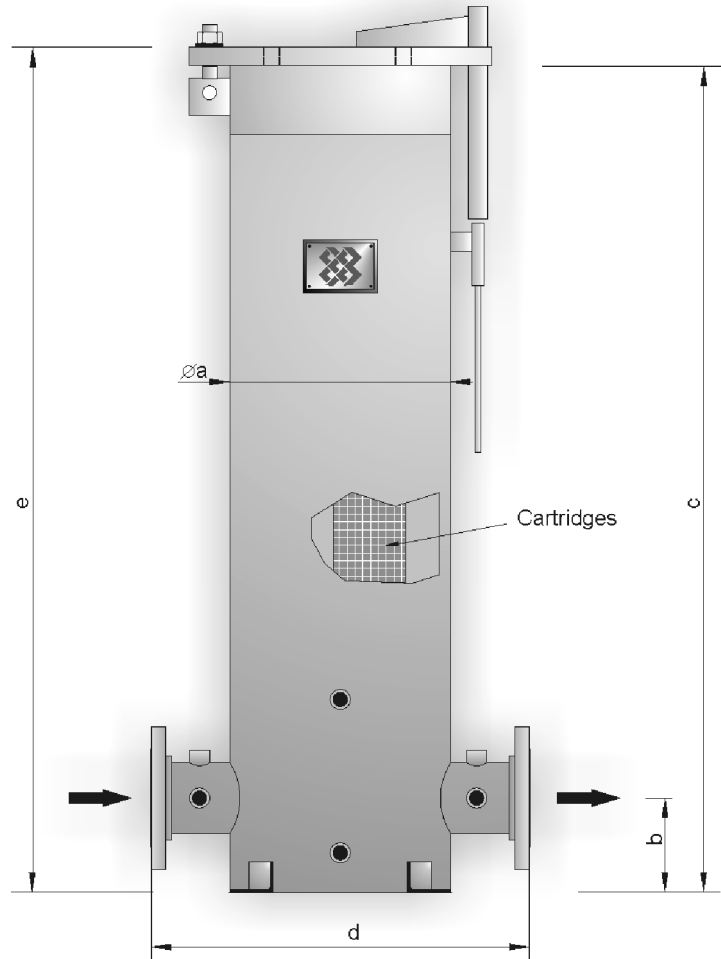
- Air eliminator
- Differential pressure gauge
- Pressure relief valve
- Manual drain valve

STANDARD UNITS

“CE” stamp (ASME stamp as option)
 Material: certified carbon steel
 Design pressures:
 10.5 bar (150 psi) - 115 °C (240 °F)
 21 bar (285 psi) - 37 °C (100 °F)
 Paint: epoxy MIL-C-4556E (internal)
 universal primer (external)

OPTIONS

- air eliminator
 - differential pressure gauge
 - pressure relief valve
 - drain valve
 - sample valve
- Other pressures, construction materials,
 quick closure on request.
 Flanges and couplings: ANSI, DIN, ...
 (on request)



MODEL	DIMENSIONS (mm)				
	$\varnothing a$	b	c	d	e
1M-314	219	152	1562	474	1592
2M-314	355	152	1562	610	1592

STANDARD UNITS

"CE" stamp (ASME stamp as option)

Material: certified carbon steel

Design pressures:

10.5 bar (150 psi) - 115 °C (240 °F)

21 bar (285 psi) - 37 °C (100 °F)

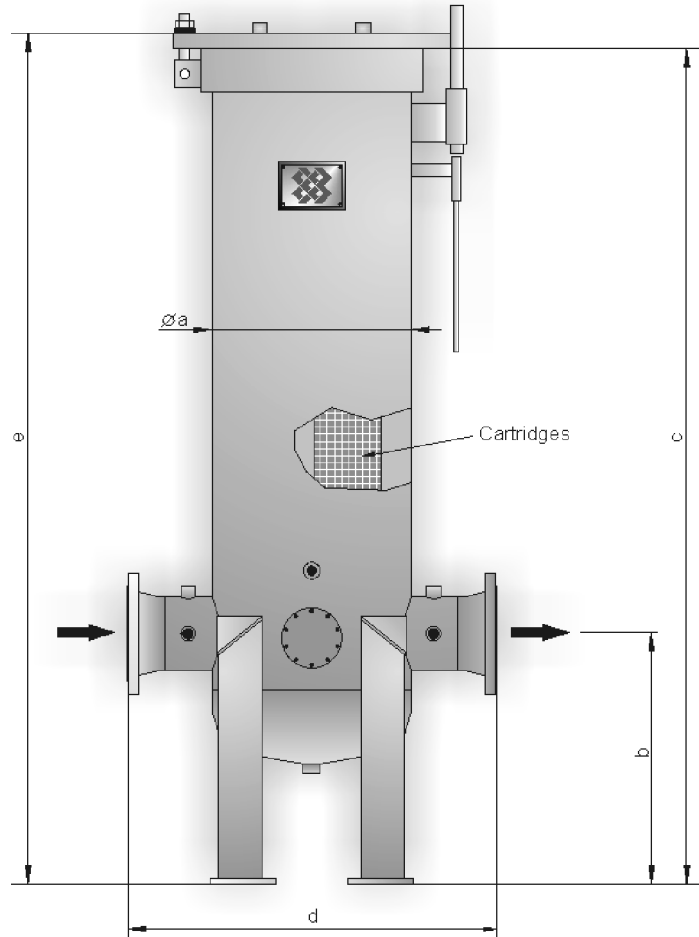
Paint: epoxy MIL-C-4556E (internal)
universal primer (external)

OPTIONS

- air eliminator
- differential pressure gauge
- pressure relief valve
- drain valve
- sample valve

Other pressures, construction materials, quick closure on request.

Flanges and couplings: ANSI, DIN, ...
(on request)



MODEL	DIMENSIONS (mm)				
	øa	b	c	d	e
3M-314	406	500	1886	700	1916
4M-314	457	575	1920	850	1955
6M-314	508	550	1950	890	1985
8M-314	610	550	1980	960	2020

STANDARD UNITS

"CE" stamp (ASME stamp as option)

Material: certified carbon steel

Design pressures:

10.5 bar (150 psi) - 115 °C (240 °F)

21 bar (285 psi) - 37 °C (100 °F)

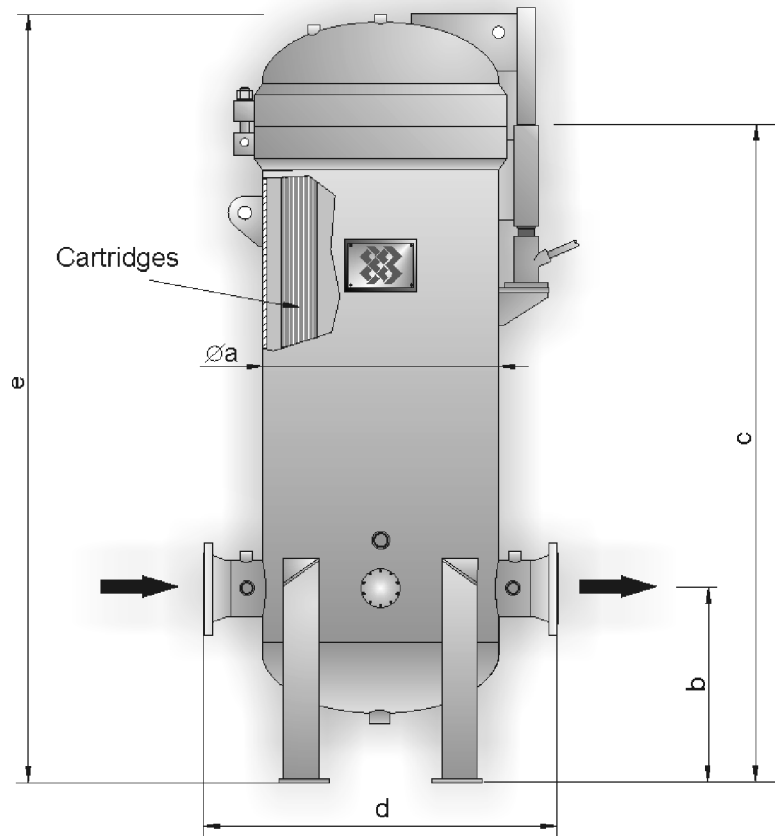
Paint: epoxy MIL-C-4556E (internal)
universal primer (external)

OPTIONS

- air eliminator
- differential pressure gauge
- pressure relief valve
- drain valve
- sample valve

Other pressures, construction materials,
quick closure on request.

Flanges and couplings: ANSI, DIN, ...
(on request)



MODEL	DIMENSIONS (mm)				
	ϕa	b	c	d	e
11M-314	711	610	2060	1120	2380
18M-314	914	660	2140	1219	2580
27M-314	1067	845	2635	1600	2950